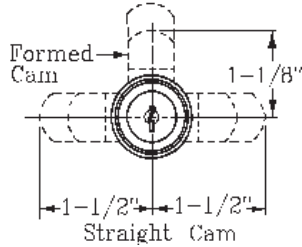
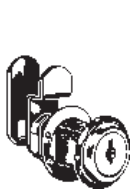
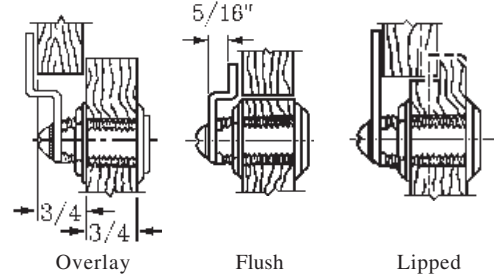


DISC TUMBLER CAM LOCKS



C8051	C8055
C8052	C8060
C8053	C8073
C8054	C8075



CabinetWare Part Number	Maximum Material Thickness	Cylinder Length	Finish	Keying
LKN-C8051.14A.C415A.KA	7/64"	7/16"	Bright Nickel	Keyed Alike, key # C415A
LKN-C8052.14A.(key #).KA	15/64"	5/8"	Bright Nickel	Keyed Alike, key # C642A, C346A, C413A
LKN-C8052.14A.KD	15/64"	5/8"	Bright Nickel	Keyed Different
LKN-C8054.14A.C413A.KA	5/8"	15/16"	Bright Nickel	Keyed Alike, key # C413A
LKN-C8054.14A.C415A.KA	5/8"	15/16"	Bright Nickel	Keyed Alike, key # C415A
LKN-C8054.14A.KD	5/8"	15/16"	Bright Nickel	Keyed Different
LKN-C8054.3.C415A.KA	5/8"	15/16"	Bright Brass	Keyed Alike, key # C415A
LKN-C8053.14A.(key #).KA	7/8"	1-3/16"	Bright Nickel	Keyed Alike**
LKN-C8053.14A.KD	7/8"	1-3/16"	Bright Nickel	Keyed Different
LKN-C8053.14A.MKKD	7/8"	1-3/16"	Bright Nickel	Master/Keyed Different
LKN-C8053.14A.MKKA.KD	7/8"	1-3/16"	Bright Nickel	Master/Keyed Alike / Keyed Different
LKN-C8053.3.(key #).KA	7/8"	1-3/16"	Bright Brass	Keyed Alike**
LKN-C8053.3.KD	7/8"	1-3/16"	Bright Brass	Keyed Different
LKN-C8053.3.MKKD	7/8"	1-3/16"	Bright Brass	Master/Keyed Different
LKN-C8053.4G.(key #).KA	7/8"	1-3/16"	Antique Brass	Keyed Alike, key # C346A, C390A, C415A,
LKN-C8053.4G.KD	7/8"	1-3/16"	Antique Brass	Keyed Different
LKN-C8073.14A.(key #).KA*	7/8"	1-3/16"	Bright Nickel	Keyed Alike**
LKN-C8073.3.C415A.KA*	7/8"	1-3/16"	Bright Brass	Keyed Alike, key # C415A
LKN-C8055.14A.(key #).KA	1-1/8"	1-7/16"	Bright Nickel	Keyed Alike**
LKN-C8055.14A.KD	1-1/8"	1-7/16"	Bright Nickel	Keyed Different
LKN-C8055.14A.MKKD	1-1/8"	1-7/16"	Bright Nickel	Master/Keyed Different
LKN-C8055.3.(key #).KA	1-1/8"	1-7/16"	Bright Brass	Keyed Alike**
LKN-C8055.3.KD	1-1/8"	1-7/16"	Bright Brass	Keyed Different
LKN-C8055.3.MKKD	1-1/8"	1-7/16"	Bright Brass	Master/Keyed Different
LKN-C8055.4G.(key #).KA	1-1/8"	1-7/16"	Antique Brass	Keyed Alike, keys C346A, C390A, C415A
LKN-C8055.4G.KD	1-1/8"	1-7/16"	Antique Brass	Keyed Different
LKN-C8055.4G.MKKD	1-1/8"	1-7/16"	Antique Brass	Master/Keyed Different
LKN-C8075.14A.(key #).KA*	1-1/8"	1-7/16"	Bright Nickel	Keyed Alike**
LKN-C8075.3.C415A.KA*	1-1/8"	1-7/16"	Bright Brass	Keyed Alike, key # C415A
LKN-C8060.14A.(key #).KA*	1-7/16"	1 3/4"	Bright Nickel	Keyed Alike**
LKN-C8060.14A.KD*	1-7/16"	1 3/4"	Bright Nickel	Keyed Different
LKN-C8060.14A.MKKD*	1-7/16"	1 3/4"	Bright Nickel	Master/Keyed Different
LKN-C8060.14A.MKKA.KD*	1-7/16"	1 3/4"	Bright Nickel	Master/Keyed Alike / Keyed Different
LKN-C8060.3.C642A.KA*	1-7/16"	1 3/4"	Bright Brass	Keyed Alike, key # C642A
LKN-C8060.4G.C413A.KA	1-7/16"	1 3/4"	Bright Brass	Keyed Alike, key # C413A

*90° or 180° cam turn. 90° cam turn all other locks.

3/4" bore. Supplied with two keys, trim washer, spur washer for wood, mounting nut and two cams.

See page LK-3 for disc tumbler cams.

**Keyed alike locks listed on this page are available in six standard key codes:

C346A, C390A, C413A, C415A, C420A, & C642A.

Specific key number requests for keyed alike or keyed different locks are available by special order only and will take 4 to 6 weeks for delivery.

CabinetWare®

www.cabinetware.com

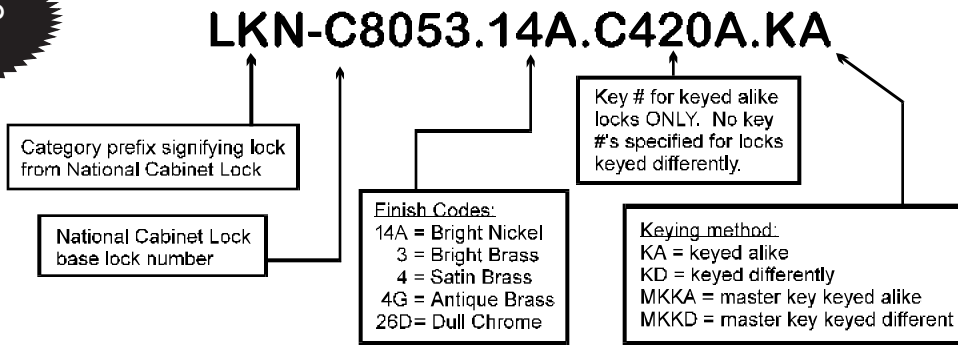
Sarasota
1-800-226-6300

Jacksonville
1-866-855-1575

Orlando
1-888-575-1500

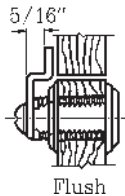
Tampa
1-800-257-1855

How to read our lock codes:



CabinetWare

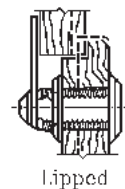
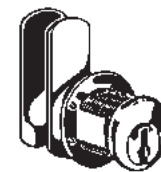
PIN TUMBLER CAM LOCKS



C8102
C8106
C8108



C8103
C8109



3/4" bore. Supplied with two keys, trim washer, spur washer for wood, mounting nut and two cams.
 90° cam turn. See page LK-3 for pin tumbler cams.

CabinetWare Part Number	Maximum Material Thickness	Cylinder Length	Type of Mounting	Finish	Keying
LKN-C8102.26D.101.KA	3/4"	1-1/16"	Flush	Dull Chrome	Keyed Alike, key # 101
LKN-C8102.26D.915.KA	3/4"	1-1/16"	Flush	Dull Chrome	Keyed Alike, key # 915
LKN-C8102.26D.MKKA	3/4"	1-1/16"	Flush	Dull Chrome	Master/Keyed Alike
LKN-C8102.26D.KD	3/4"	1-1/16"	Flush	Dull Chrome	Keyed Different
LKN-C8102.26D.MKKD	3/4"	1-1/16"	Flush	Dull Chrome	Master/Keyed Different
LKN-C8103.26D.101.KA	7/8"	1-3/16"	Lipped/O.L.	Dull Chrome	Keyed Alike, key # 101
LKN-C8103.26D.KD	7/8"	1-3/16"	Lipped/O.L.	Dull Chrome	Keyed Different
LKN-C8103.26D.MKKD	7/8"	1-3/16"	Lipped/O.L.	Dull Chrome	Master/Keyed Different
LKN-C8106.26D.103.KA	1-1/8"	1-7/16"	Flush	Dull Chrome	Keyed Alike, key # 103
LKN-C8106.26D.107.KA	1-1/8"	1-7/16"	Flush	Dull Chrome	Keyed Alike, key # 107
LKN-C8106.26D.KD	1-1/8"	1-7/16"	Flush	Dull Chrome	Keyed Different
LKN-C8106.26D.MKKD	1-1/8"	1-7/16"	Flush	Dull Chrome	Master/Keyed Different
LKN-C8108.26D.(key #).KA	1-3/8"	1-3/4"	Flush	Dull Chrome	Keyed Alike, keys 101, 103, 915
LKN-C8108.26D.MKKD	1-3/8"	1-3/4"	Flush	Dull Chrome	Master/Keyed Different
LKN-C8109.26D.101.KA	1-1/2"	1-3/4"	Lipped/O.L.	Dull Chrome	Keyed Alike, key # 101
LKN-C8109.26D.MKKA	1-1/2"	1-3/4"	Lipped/O.L.	Dull Chrome	Master/Keyed Alike
LKN-C8109.26D.MKKD	1-1/2"	1-3/4"	Lipped/O.L.	Dull Chrome	Master/Keyed Different
LKN-C8109.4.107.KA	1-1/2"	1-3/4"	Lipped/O.L.	Satin Brass	Keyed Alike, key # 107

Specific key number requests for keyed alike or keyed different locks are available by special order only and will take 4 to 6 weeks for delivery.

CabinetWare



Unlock the secrets to your success at

CabinetWare.com

CabinetWare®

www.cabinetware.com

Sarasota

1-800-226-6300

Jacksonville

1-866-855-1575

Orlando

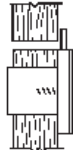
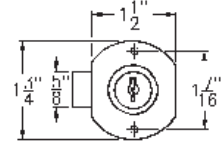
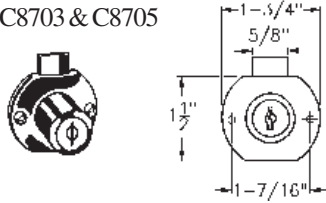
1-888-575-1500

Tampa

1-800-257-1855

DISC TUMBLER BOLT LOCKS

C8703 & C8705



1 1/32" bolt travel. Requires 7/8" diameter hole. Surface mounted. See bottom of page for strikes.

CabinetWare Part Number	Cylinder Length	Installation	Material Finish	Keying
LKN-C8703.14A.(key#).KA	15/16"	Drawer	Bright Nickel	Keyed Alike, keys C346A, C413A, C642A
LKN-C8703.14A.KD	15/16"	Drawer	Bright Nickel	Keyed Different
LKN-C8703.3.C642A.KA	15/16"	Drawer	Bright Brass	Keyed Alike, key # C642A
LKN-C8703.3.KD	15/16"	Drawer	Bright Brass	Keyed Different
LKN-C8703.4G.(key#).KA	15/16"	Drawer	Antique Brass	Keyed Alike, keys C346A, C415A
LKN-C8703.4G.KD	15/16"	Drawer	Antique Brass	Keyed Different
LKN-C8704.14A.(key#).KA	15/16"	Door	Bright Nickel	Keyed Alike, keys C346A, C413A, C415A, C642A
LKN-C8704.14A.KD	15/16"	Door	Bright Nickel	Keyed Different
LKN-C8704.14A.MKKD	15/16"	Door	Bright Nickel	Master/Keyed Different
LKN-C8704.3.C642A.KA	15/16"	Door	Bright Brass	Keyed Alike, key # C642A
LKN-C8704.3.KD	15/16"	Door	Bright Brass	Keyed Different
LKN-C8705.14A.(key#).KA	1-3/16"	Drawer	Bright Nickel	Keyed Alike, keys C346A, C413A
LKN-C8705.14A.KD	1-3/16"	Drawer	Bright Nickel	Keyed Different
LKN-C8705.3.C415A.KA	1-3/16"	Drawer	Bright Brass	Keyed Alike, key # C415A
LKN-C8705.3.KD	1-3/16"	Drawer	Bright Brass	Keyed Different
LKN-C8705.4G.(key#).KA	1-3/16"	Drawer	Antique Brass	Keyed Alike*
LKN-C8705.4G.KD	1-3/16"	Drawer	Antique Brass	Keyed Different

*Available in the following key codes: C346A, C390A, C413A, C415A, C420A, & C642A

Specific key number requests for keyed alike or keyed different locks are available by special order only and will take 4 to 6 weeks for delivery.

STRIKE PLATES



No bolt hole. 1 3/4" x 1/2" with 3/16" form. Countersunk holes. Nickel.

LKN-C2001.14A

Countersunk holes reversed.

LKN-C2002.14A



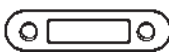
Flat strike. No bolt hole. 1-5/16" x 3/8". Nickel finish.

LKN-C2005.14A



Flat strike. 15/16" x 1/4" bolt hole. 15/16" x 1/4" tongue. 2" x 3/4" overall. Brass finish.

LKN-C2006.3

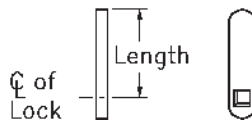


Flat strike. Nickel finish. 19" x 17/64" bolt hole. 2-5/32" x 1/2" overall. Rounded ends.

LKN-C2007.14A

LKN-C2007.3 Brass Finish

DISC TUMBLER CAMS



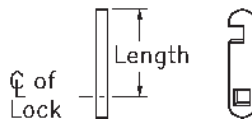
Straight cam. Zinc finish.

1" long LKN-C7002.2C

1-1/8" long LKN-C7003.2C

2" long LKN-C7004.2C

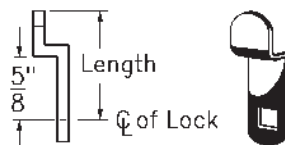
3" long LKN-C7005.2C



Straight hook cam. Zinc finish.

1-1/8" long LKN-C7007.2C

1-1/2" long LKN-C7008.2C



Double formed cam. Zinc finish.

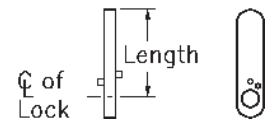
1-3/4" long. 1/2" offset.

LKN-C7009.2C

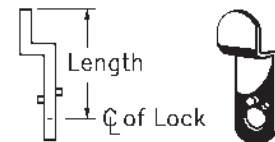


CabinetWare

PIN TUMBLER CAMS



Straight cam. Zinc. 1-1/8" long. LKN-C7103.2C



Double formed cam. 1 1/4" long. Zinc finish.

Right hand LKN-C7110.2C

Left hand LKN-C7111.2C

CabinetWare®

www.cabinetware.com

Sarasota
1-800-226-6300

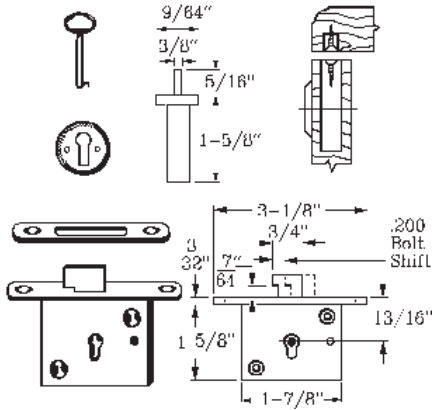
Jacksonville
1-866-855-1575

Orlando
1-888-575-1500

Tampa
1-800-257-1855

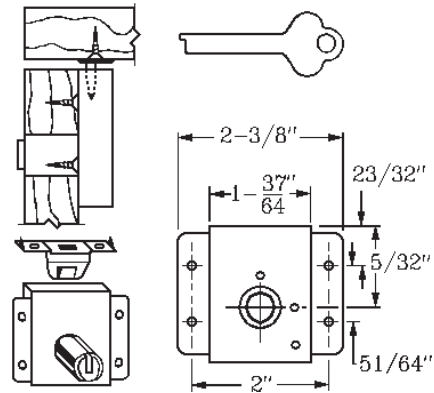
Please note - Some products featured in this catalog may not be stock items.

LID HOOK MORTISE LOCK



Surface mounted. Requires 11/32" wide x 1-5/8" deep full mortise. Requires hole for key entry. 5/16" .200 side shift. Bright brass. Keyed alike.
LKN-C8384.3.KA

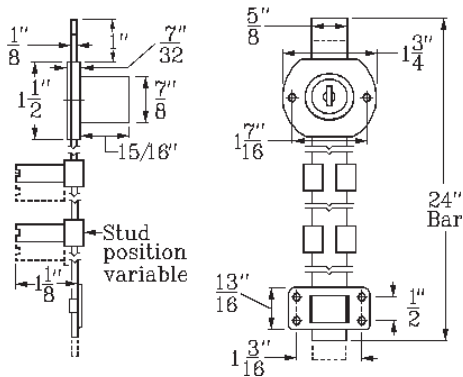
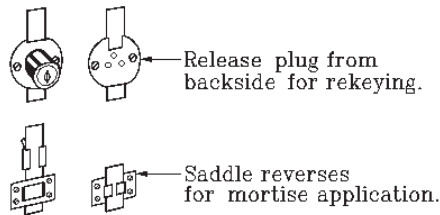
LID PUSH SURFACE LOCK



Pushbutton releases lid when lock is used as a latch to keep lid closed, but not locked. Requires 9/16" dia. hole. 7/8" cylinder length. Antique brass finish. Keyed alike.
LKN-C8412.4G.129.KA

CabinetWare

DISC TUMBLER GANG LOCK

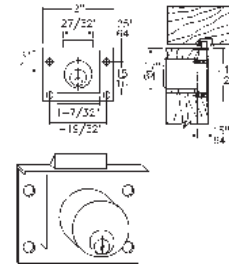


Turning the key locks all closed drawers simultaneously. For locking drawers in desk pedestals and other multiple drawer applications. For use in 3/4" material. Requires 7/8" hole for cylinder. Dado 7/8" wide x 1/8" deep for the 24" long bar (which can be cut). 15/16" cylinder length. 11/32" bolt travel. Comes with 3 pins to accommodate 3 drawers.

- | | | |
|-------------------------------|---------|---------------------------|
| LKN-D8090.14A.C413A.KA | Nickel. | Keyed alike, key # C413A. |
| LKN-D8090.14A.C642A.KA | Nickel. | Keyed alike, key # C642A. |
| LKN-D8090.14A.KD | Nickel. | Keyed different. |
| LKN-D8090.3.C642A.KA | Brass. | Keyed alike, key # C642A. |
| LKN-D8090.3.KD | Brass. | Keyed different. |

Specific key number requests for keyed alike or keyed different locks are available by special order only and will take 4 to 6 weeks for delivery.

MORTISE DRAWER LOCK

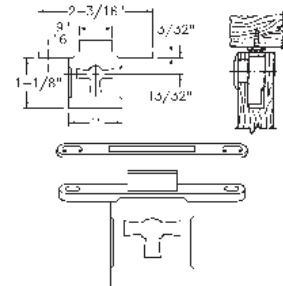


7/8" cylinder length. 7/8" dia. Key removable in both locked and unlocked positions. Dull chrome. Keyed alike.

LKN-C8133.26D.101.KA

CabinetWare

MORTISE FURNITURE LOCK

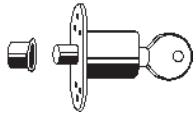


11/32" x 17" full mortise. Mortise hole for key and selvage. 3/16" bolt travel. Brass. Keyed alike.

LKN-C8252.3.KA

Keyhole Escutcheon 1" Brass.
LKN-C2008.3

**SLIDING DOOR
PUSH LOCKS**



For sliding wood doors. Lock by pushing cylinder into ferrule installed in face of door. Keyed alike.

5/8" bore.
LK-106PBKA Polished brass.

7/8" bore.
LK-2290.PCH31 Polished chrome.

National Cabinet Lock:
7/8" bore. *Disc Tumbler.* Plunger.

Keyed alike. Dull chrome.
LKN-C8043.26D.C346A.KA
LKN-C8043.26D.C415A.KA

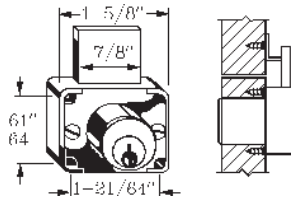
Keyed different. Dull chrome.
LKN-C8043.26D.KD

Keyed alike. Brass finish.
LKN-C8043.3.C415A.KA

Disc tumbler, 90° turn hook style.
Keyed alike. Dull chrome.
LKN-C8042.26D.C415A.KA
(picture not shown)

7/8" bore. *Pin Tumbler.* Plunger.
Keyed alike. Dull chrome.
LKN-C8142.26D.915.KA

**PIN TUMBLER
DEAD BOLT LOCK**



Surface mounted. Requires 7/8" dia. hole. Dull chrome finish.

3/4" bolt travel. 7/8" cylinder length.
For drawers. Keyed alike.
LKN-C8178.26D.101.KA

3/4" bolt travel. 7/8" cylinder length.
Bolt travels to the side.
For doors. Keyed alike.
LKN-C8173.26D.101.KA

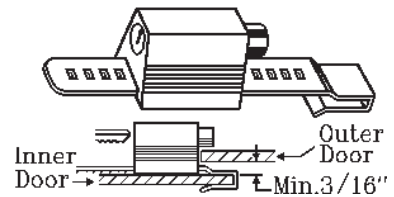
3/4" bolt travel. 1-1/8" cylinder length.
For drawers. Keyed different.
LKN-C8177.26D.KD
LKN-C8177.26D.101.KA *Keyed Alike*
LKN-C8177.26D.MKKD *Maste Key/Keyed Different*

Spring Bolt Lock. 7/8" dia. bore. For drawers. Surface mounted. Keyed alike. Dull chrome finish. 7/32" bolt travel. 3/4" cylinder length. (picture not shown)
LKN-C8139.26D.101.KA

Specific key number requests are available by special order only and will take 4 to 6 weeks for delivery.

CabinetWare

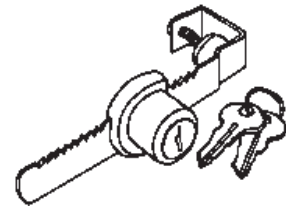
**PIN TUMBLER SLIDING
GLASS DOOR LOCK**



Key removable in locked position only. Dull chrome finish. Internal spring bolt type. Standard keyed alike codes: 101, 103, 107, & 915.
LKN-C8140.26D.915.KA

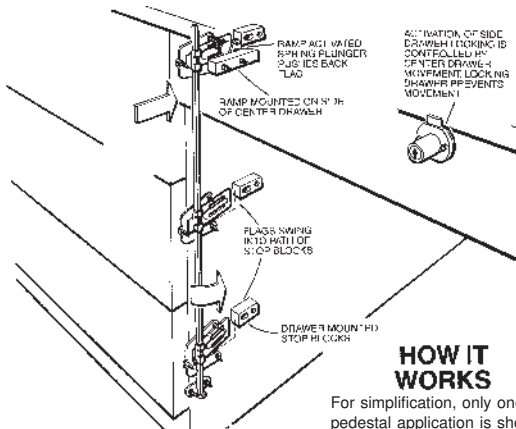
CabinetWare

SHOWCASE LOCK



For 1/4" sliding glass doors with laps of 3/4" to 3-3/8". Steel. Polished chrome finish. Keyed alike.
LK-P965KA.50.NP

CENTRAL LOCKING SYSTEMS



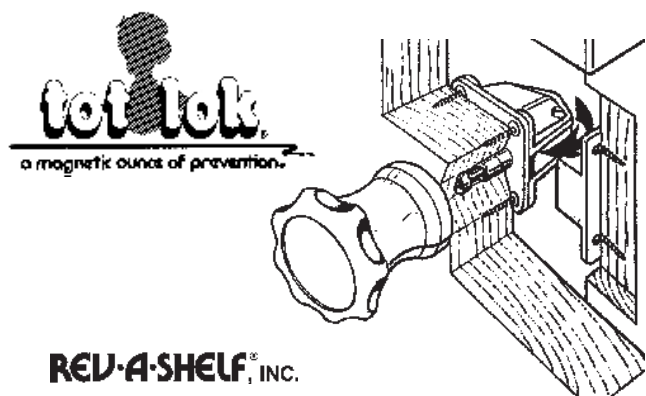
For simplification, only one pedestal application is shown.

For installing in wood desks with center drawer and up to six side drawers, three per pedestal. Drawer lock is installed in center drawer. Center drawer operates the system. Keyed alike.

LKN-D8950.3.C415A.KA
LKN-D8950.3.KD
LKN-D8950.4G.C415A.KA

Bright Brass.
Bright Brass
Antique Brass.

REV-A-LOCK



Rev-A-Shelf's world patented catch and key component system is designed to combine the security of a lock with the simplicity of a catch. A powerful magnetic "key" placed on the cabinet door releases the catch. When the magnet is removed, the catch springs back so the door stays locked.

Rev-A-Lock and strike.
LKR-RAL201

Rev-A-Lock key.
LKR-RAL202

CabinetWare®

www.cabinetware.com

Sarasota
1-800-226-6300

Jacksonville
1-866-855-1575

Orlando
1-888-575-1500

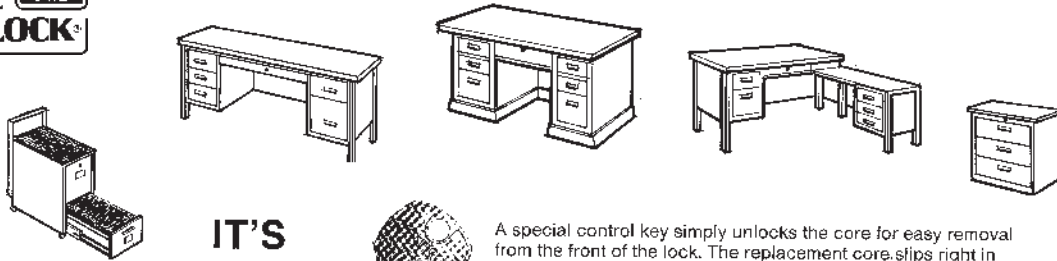
Tampa
1-800-257-1855

Please note - Some products featured in this catalog may not be stock items.

REMOVA CORE™

Now an entire furniture locking system can be changed in a matter of minutes, not days through flexible key control.

**NATIONAL
CABINET LOCK**



**IT'S
EASY!**



A special control key simply unlocks the core for easy removal from the front of the lock. The replacement core slips right in and you have it, security restored!

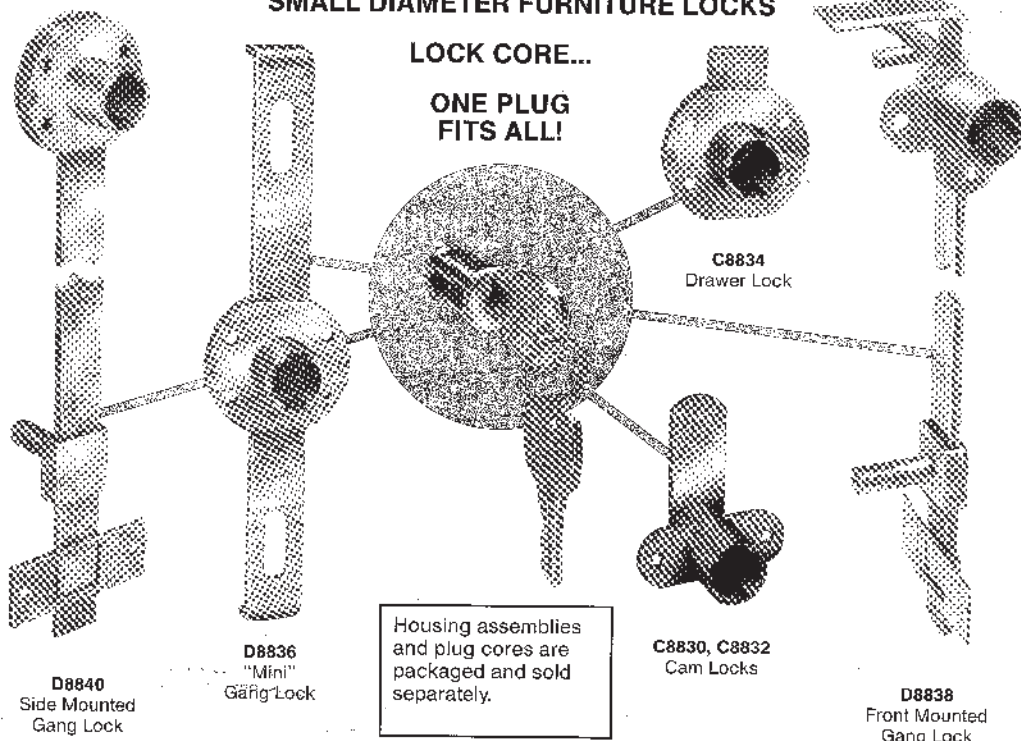
Replacement cores are readily available.

D8779
Control Key

SMALL DIAMETER FURNITURE LOCKS

LOCK CORE...

**ONE PLUG
FITS ALL!**



D8840
Side Mounted
Gang Lock

D8836
"Mini"
Gang Lock

C8834
Drawer Lock

C8830, C8832
Cam Locks

D8838
Front Mounted
Gang Lock

Housing assemblies and plug cores are packaged and sold separately.

Call for more information!

NOTES:

